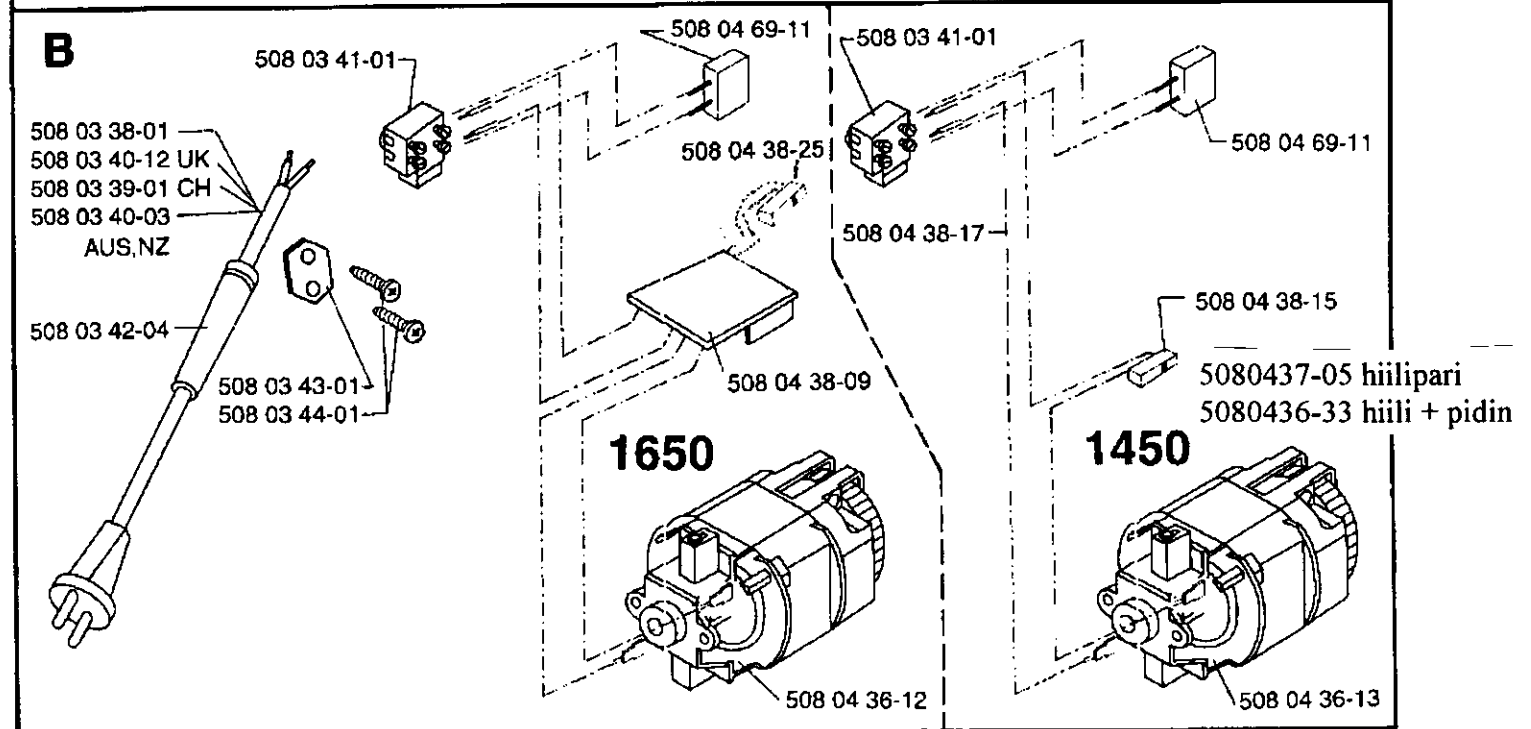
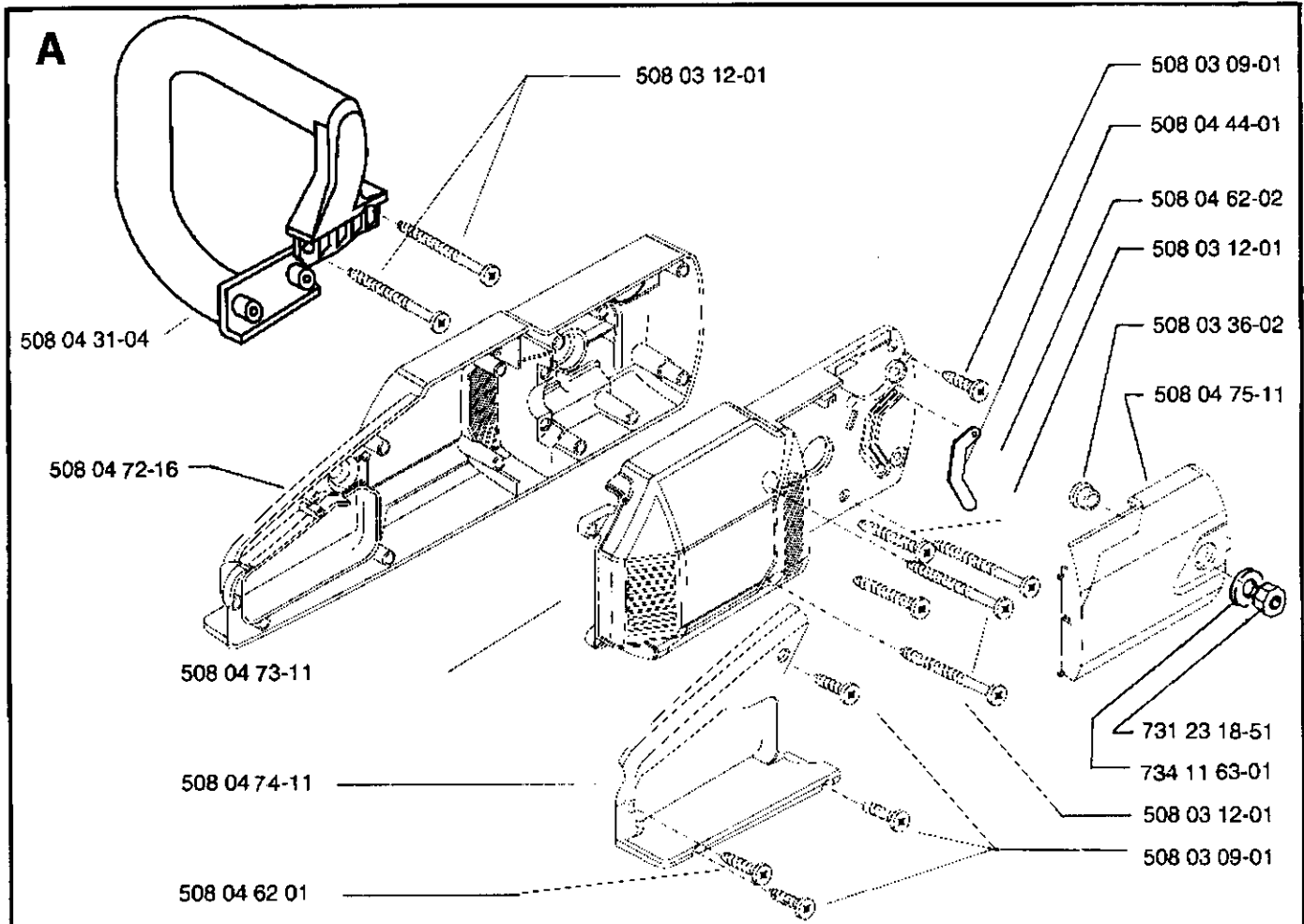


SPAREPARTS

107 25 94-63



MODEL NUMBER 1450/1650

PARTNUMBER SQUARE NOTE

501 87 53-01 F
 508 03 09-01 A,F
 508 03 11-01 F
 508 03 12-01 A,F
 508 03 18-10 C
 508 03 19-10 C
 508 03 23-02 C
 508 03 36-02 A
 508 03 38-01 B
 508 03 39-01 B

508 03 40-03 B
 508 03 40-12 B N
 508 03 41-01 B
 508 03 42-04 B
 508 03 43-01 B
 508 03 44-01 B,F
 508 03 80-02 G
 508 04 22-14 F N
 508 04 23-18 E
 508 04 27-06 G

508 04 30-02 F
 508 04 31-04 A
 508 04 33-10 C N
 508 04 35-02 C
 508 04 35-03 C
 508 04 36-12 B
 508 04 36-13 B
 508 04 37-02 D
 508 04 38-09 B N
 508 04 38-14 B

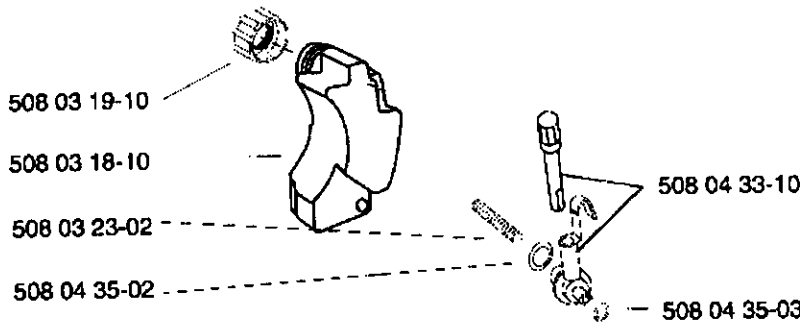
508 04 38-15 B
 508 04 38-17 B
 508 04 38-25 B N
 508 04 44-01 A
 508 04 51-05 G
 508 04 51-07 G
 508 04 54-01 E
 508 04 55-01 G
 508 04 56-01 G
 508 04 58-00 G

508 04 60-01 F
 508 04 61-10 F
 508 04 62-01 A
 508 04 62-02 A
 508 04 63-01 F
 508 04 64-01 G
 508 04 66-10 F
 508 04 66-14 F
 508 04 67-10 G
 508 04 69-11 B

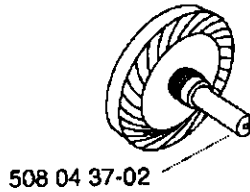
508 04 72-16 A
 508 04 73-11 A
 508 04 74-11 A
 508 04 75-11 A
 508 04 77-16 E
 723 13 39-76 F N
 725 24 57-76 F
 725 63 29-01 G
 725 63 29-51 G N
 729 52 79-01 F

731 23 18-51 A
 734 11 63-01 A
 738 21 01-02 F

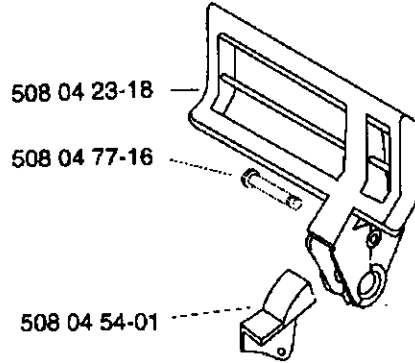
C



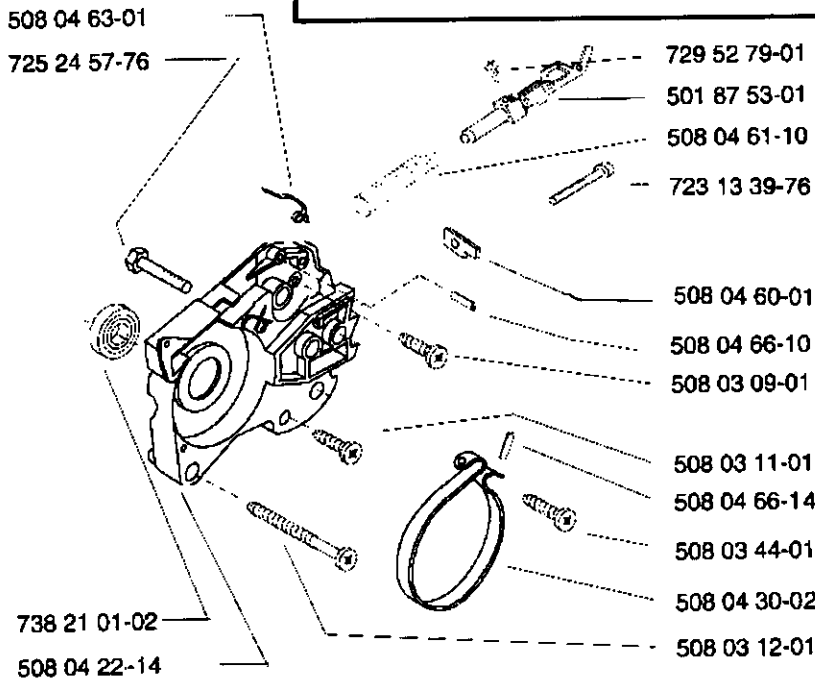
D



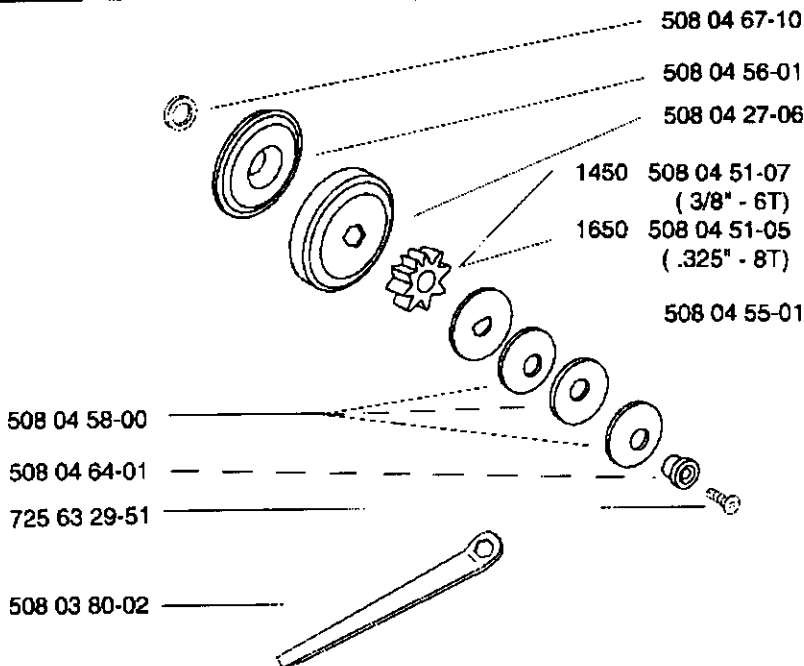
E



F



G



N=NY DETALJ
 NEW PART
 NEUES TEIL